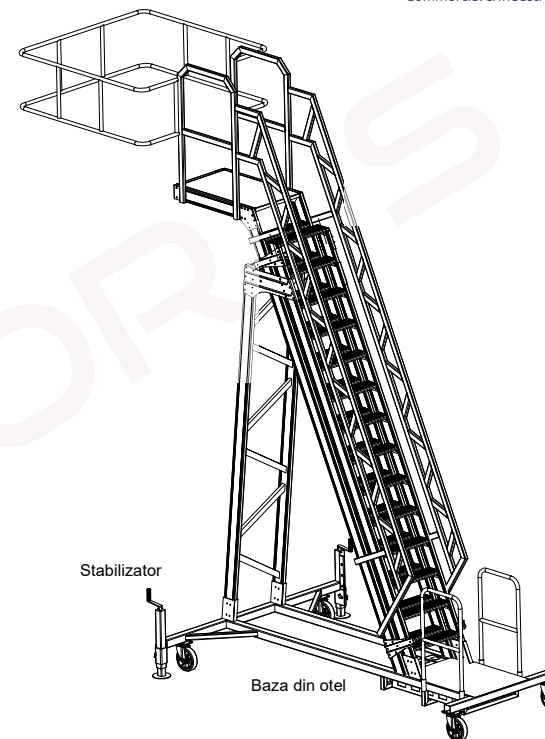
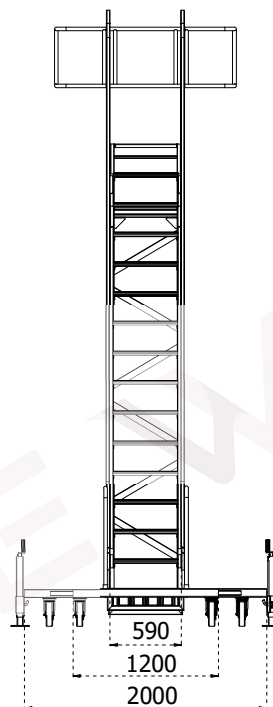
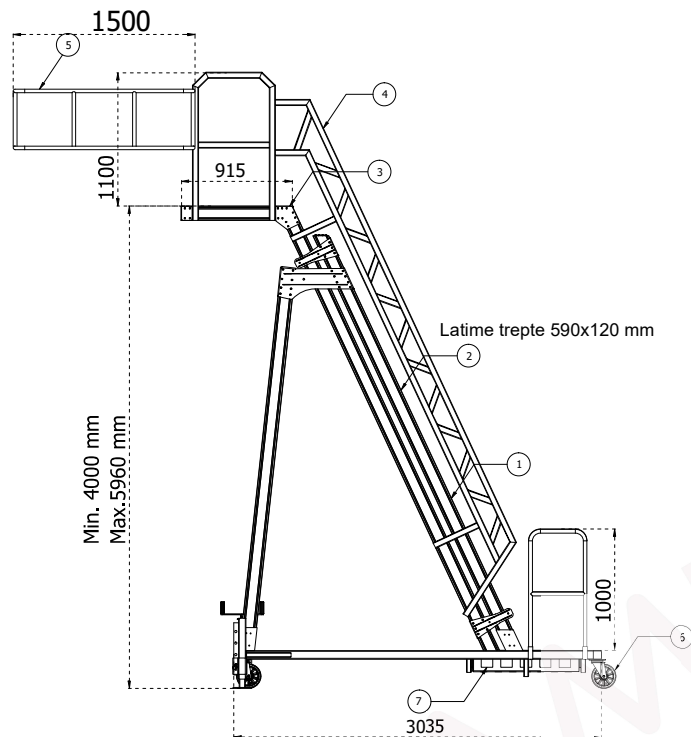


PLATFORMA TELESCOPICA MODEL : YP-400



COMPONENTE

| Nr | DENUMIRE |
|----|-------------------------------------|
| 1 | 120x30 mm Profil din Aluminiu Sigma |
| 2 | 120x590x35 mm Treapta din Aluminiu |
| 3 | 915x590 mm Platforma din Aluminiu |
| 4 | 40x20 mm Profil din Aluminiu |
| 5 | Ø 30 Profil din Aluminiu |
| 6 | Ø 200 Roti |
| 7 | Greutati |

| | NUME, PRENUME NAME SURNAME | DATE | PRODUCT NAME | SPECIAL TYPE ALUMINIUM LADDER | |
|--------------------|-------------------------------|------------|---------------|-------------------------------|--|
| DRAWN BY | Mahmut TATAR | 17.04.2018 | | | |
| CONTROL CONTROL | ENE VICTOR | | PRODUCT NO | | |
| TEL PHONE | 0786.537.000 | | CUSTOMER NAME | | |